

PRODUCT SHEET US

# ODYSSÉE

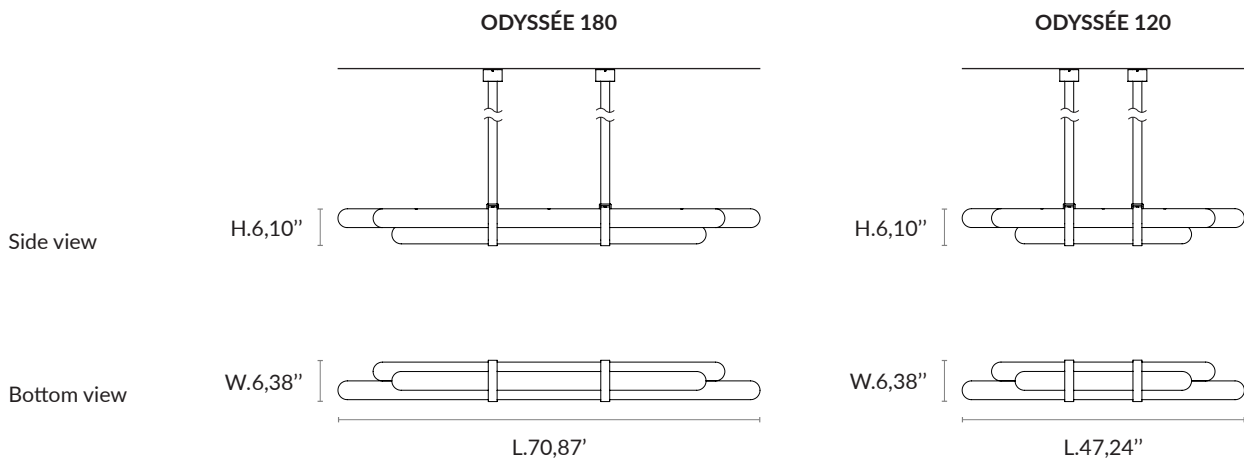


AAE ODYSSEE PS Non contractual picture



Alain Ellouz  
.paris

<b>Type</b>	Pendant light
<b>Environment</b>	Indoor
<b>Material</b>	Alabaster and burnt wood
<b>Suspension system</b> <i>Système de suspension</i>	2 stainless steel wire rope pendant Overall drop of the lighting fixture (distance between the ceiling and the lowest part of the fixture) to be specified. Height included in standard price : 39,4". Additional length to order (Price upon request).
<b>Lighting system</b>	LED Strip 2,9W/ft - Dimmable intensity and color (2700K to 3000K) - Remoted transformer
<b>Lighting control system</b>	To be chosen according to project
<b>Wattage</b>	ODYSSÉE 120 : 13W ODYSSÉE 180 : 28W
<b>Voltage</b>	24 V : transformer provided
<b>Luminous flux</b>	Source : ODYSSÉE 120 : 1060 lm ODYSSÉE 180 : 530 lm The alabaster diffuses between 40 and 60% of the light source lumens
<b>Weight</b> <i>Poids</i>	ODYSSÉE 120 : Approx. 53 lb ODYSSÉE 180 : Approx. 70,6 lb



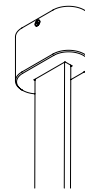
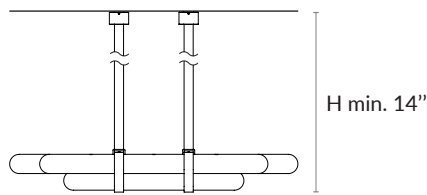
ODYSSÉE®  
DESIGN BY ATELIER ALAIN ELLOUZ  
MADE IN FRANCE

**References** ODYSSÉE 120 : ALM-0013  
ODYSSÉE 180 : ALM-0014

**Warranty** 2 years warranty. General terms and conditions of sale.

## FIXING SYSTEM AND FINISH

### • INDIVIDUAL FIXING PLATES



Dimensions :  
L.3,15"x W.1,57"x H.1,97" (x2)

#### Paint finish :



Mat white  
ref : dcl-012



Mat black  
ref : dcl-022



Grey  
ref : dcl-118



Navy blue  
ref : dcl-014



Brown  
ref : dcl-017



Camel  
ref : dcl-018



Beige  
ref : dcl-119



Bronze  
ref : dcl-016

#### Metal plating finish\* :



Antique brass  
ref : dcl-005

\*Price upon request

## STANDARD LEATHER FINISH



Mat black  
ref : dcl-120



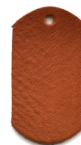
Grey  
ref : dcl-121



Navy blue  
ref : dcl-122



Brown  
ref : dcl-123



Camel  
ref : dcl-124



Beige  
ref : dcl-125

## LIGHTING CONTROL SYSTEM

To be chosen according to project : DMX, DALI (DT8), TRIAC (phase dimming, setting knobs to choose the light temperature), 1-10V (two 1-10V bus required), NONE (setting knob to choose and fix the light intensity and temperature).

For a correct functioning the remote transformer / driver must be placed in an accessible place at maximum 33' / 10 m from the light fixture.

Please contact us for any request of custom finish.