

US PRODUCT SHEET

# ODDA L1P



AAE ODDA L US FP - Non contractual picture



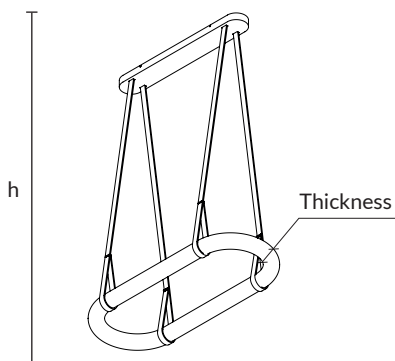
**ATELIER ALAIN ELLOUZ**  
PARIS

<b>Type</b>	Pendant light Equipped with UL listed components	
<b>Environment</b>	Indoor	
<b>Material</b>	Alabaster	
<b>Suspension system</b>	4 leather straps ODDA L1P 110-L1P 140 : Loop height : 15,7" (For a height between 19,7-29,5", loop height : 9,8") ODDA L1P 160-L1P 200 : Loop height : 15,7" (For a height between 25.5-29.5", loop height : 9,8")	
<b>Lighting system</b>	LED Strip 9,6W/m (2700K or 3000K) - Dimmable intensity Remote transformer or concealed in canopy	
<b>Voltage</b>	24 V : transformer provided	
<b>Wattage</b>	ODDA L1P 110 : 30 W ODDA L1P 140 : 35 W	ODDA L1P 160 : 45 W ODDA L1P 200 : 55 W
<b>Source lumens</b>	ODDA L1P 110 : 1910 lm ODDA L1P 140 : 2368 lm	ODDA L1P 160 : 2826 lm ODDA L1P 200 : 3438 lm

**References**

ODDA central fixing plate :  
 ODDA L1P 110 : COL-0615  
 ODDA L1P 140 : COL-0616  
 ODDA L1P 160 : COL-0617  
 ODDA L1P 200 : COL-0618

**Dimensions :**



ODDA	Dimensions	Overall drop h minimum	Overall drop h maximum	Thickness	Weight
L1P110	43,3"x23,6"	19.6"	39.4"	3.1"	52 lb / 24 Kg
L1P140	55,1"x23,6"	19.6"	39.4"	3.9"	63 lb / 29 Kg
L1P160	62,9"x31,5"	25.5"	39.4"	3.9"	74 lb / 34 Kg
L1P200	78,7"x31,5"	25.5"	39.4"	3.9"	85 lb / 39 Kg

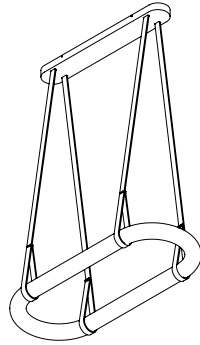
2 years warranty. General terms and conditions of sales.

## FIXING SYSTEM

Included in the price of the luminaire

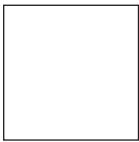
### CENTRAL FIXING PLATE

Ø5,9 x h.1,4"



## STANDARD PAINT FINISHES : fixing plate

Included in the price of the luminaire



Mat white  
ref: dcl-012



Mat black  
ref: dcl-022



Grey  
ref: dcl-118



Navy blue  
ref: dcl-014



Brown  
ref: dcl-017



Camel  
ref: dcl-018



Beige  
ref: dcl-119

## LEATHER FINISHES

Included in the price of the luminaire



Black  
ref: dcl-120



Grey  
ref: dcl-121



Navy blue  
ref: dcl-122



Brown  
ref: dcl-123



Camel  
ref: dcl-124



Beige  
ref: dcl-125

## OPTIONAL FINISHES : fixing plate

Price upon request



Satin brass  
ref: dcl-009



Antique brass  
ref: dcl-005

Please contact us for any request of custom-made ceiling plate.