

US PRODUCT SHEET

EVASION



AAE EVASION US FP - Non contractual picture.

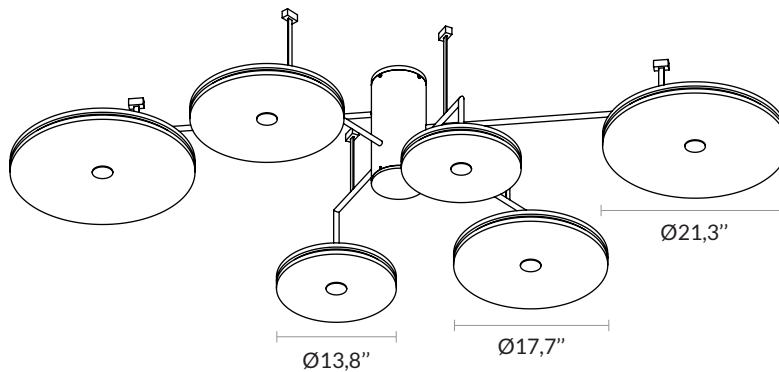


ATELIER ALAIN ELLOUZ
PARIS

Type	Chandelier (UL CERTIFIED)
Environment	Indoor
Suspension system	Metal rod Ø0.6"
Material	Alabaster and steel
Lighting system	LED Strip 9,6W/m (2700K or 3000K) - Dimmable intensity Remote transformer
Voltage	24 V : transformer provided
Wattage	100 W
Lumen	5880 lm The alabaster diffuses between 40 and 60% of the light source lumens
Reference	COL-0086

Dimensions :

H. 21,6"
I. 55,1"
L. 90,5"



Weight :

165 lb / 75 Kg

STANDARD PAINT FINISHES : canopy, rods and metal parts

Included in the price of the luminaire



Mat white
ref : dcl-012



Mat black
ref : dcl-022



Grey brown : RAL 8019
ref : dcl-020



Bronze
ref : dcl-016

2 years warranty. General terms and conditions of sales.