

US PRODUCT SHEET

SUMATRA V LED



AAE SUMATRA V LED US FP Non contractual picture.



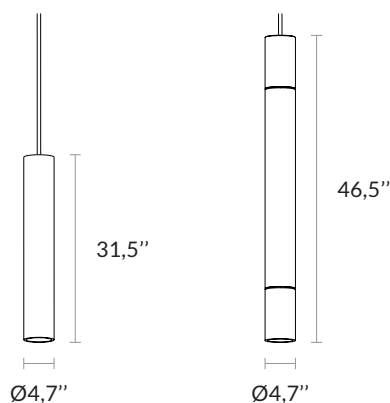
ATELIER ALAIN ELLOUZ
PARIS

Type	Pendant light (UL CERTIFIED)
Environment	Indoor
Material	Alabaster and steel
Suspension system	Metal rod Ø0,5" - Standard length to order : min. 8" - max. 79" Additional length to order (Price upon request)
Lighting system	LED Strip 9,6W/m (2700K or 3000K) - Dimmable intensity Remote transformer or concealed in canopy
Voltage	24 V : transformer provided
Wattage	SUMATRA V80 : 16 W SUMATRA V120 : 23 W
Source lumens	SUMATRA V80 : 980 lm SUMATRA V120 : 1400 lm The alabaster diffuses between 40 and 60% of the light source lumens
References	SUMATRA V80 : COL-0238 SUMATRA V120 : COL-0234

Dimensions :

SUMATRA V80

SUMATRA V120



Weight/ Poids :

18 lb / 8 Kg

26 lb / 12 Kg

2 years warranty. General terms and conditions of sales.

STANDARD FIXING SYSTEMS AND FINISHES

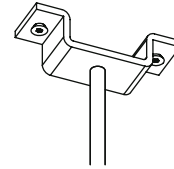
Included in the price of the luminaire

The price includes the fixing system of your choice, with a standard finish and a rod of 2 meters maximum.
(price on request for a longer rod)

- **HIDDEN INDIVIDUAL FIXING**

System adapted to false ceilings for an aspect without a visible fixation (the rod comes out directly from the ceiling).
The hole in the false ceiling can be finished with an eyelet .

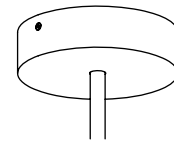
3,5 x 1,2 x h.0,9"



- **CANOPY 130**

Individual ceiling fixing.

Ø 5,1 x h.1,4"



- **RODS AND CANOPY 130 FINISHES**

Paint finishes :



Mat white
ref : dcl-012



Mat black
ref : dcl-022



Bronze
ref : dcl-016

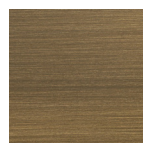
OPTIONAL FINISHES : rods and canopy 130

Price upon request

Metal plating finish



Satin brass
ref : dcl-009



Antique brass
ref : dcl-005

Steel finish



Polished stainless steel
ref : dcl-003

Please contact us for any request of custom-made ceiling plate.