

US PRODUCT SHEET

INFINITY 08 V



Non contractual picture.

AAE INFINITY 08V US FP

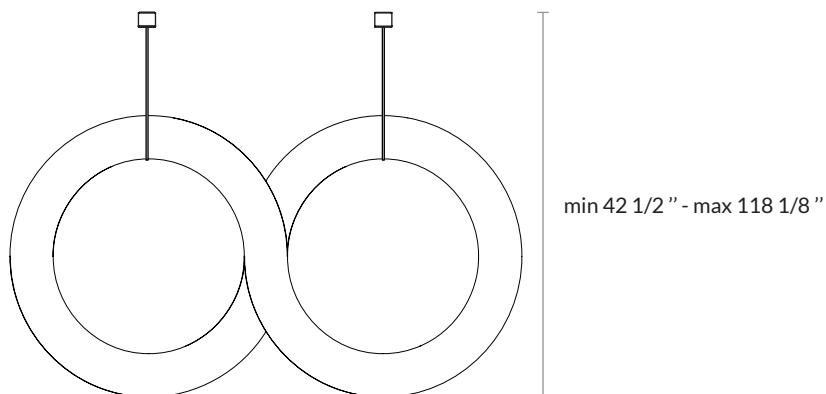


ATELIER ALAIN ELLOUZ
PARIS

Type	Chandelier Equipped with UL listed components
Environment	Indoor
Suspension system	Leather-covered stainless steel wire ropes Lenght to adjust on site
Electric cable	Transparent electric cable
Material	Alabaster, leather and steel
Lighting system	LED Strip 9,6W/m (2700K or 3000K) - Dimmable intensity Remote transformer
Wattage	90 W
Voltage	24 V : transformer provided
Source lumens	5800 lm The alabaster diffuses between 40 and 60% of the light source lumens
Reference	COL-0296

Dimensions :

H. 30 11/16"
L. 55 7/8"
W. 13 3/4"



Weight :

110 lb / 50 Kg

2 years warranty. General terms and conditions of sales.

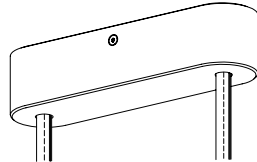
STANDARD FIXING SYSTEMS AND FINISHES

Included in the price of the luminaire

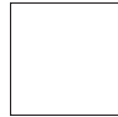
The price includes the fixing system of your choice, with a standard finish and a leather-covered stainless steel wire ropes from 42 1/2 " to 118 1/8 " with standard leather finishes.

- 2 INFINITY FIXINGS

Dimensions:
6,5 x 1,7 x 1,5"



Paint finishes :



Mat white
ref : dcl-012

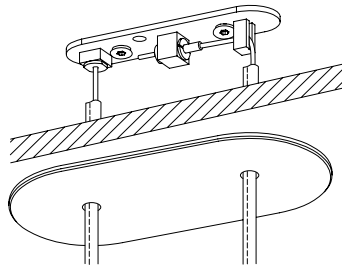


Mat black
ref : dcl-022

- 2 HIDDEN FIXINGS

System adapted to false ceilings for an aspect without a visible fixation, with a cover to close the hole in the false ceiling.

Dimensions:
6,3 x 1,6 x 1"



Cover paint finish :



Mat white
ref : dcl-012

- STANDARD LEATHER FINISHES



Chocolate brown
ref : dcl-133



Cream
ref : dcl-134

OPTIONAL FINISHES

Price upon request

Metal plating finish



Satin brass
ref : dcl-009



Antique brass
ref : dcl-005

Please contact us for any request of custom-made ceiling plate.